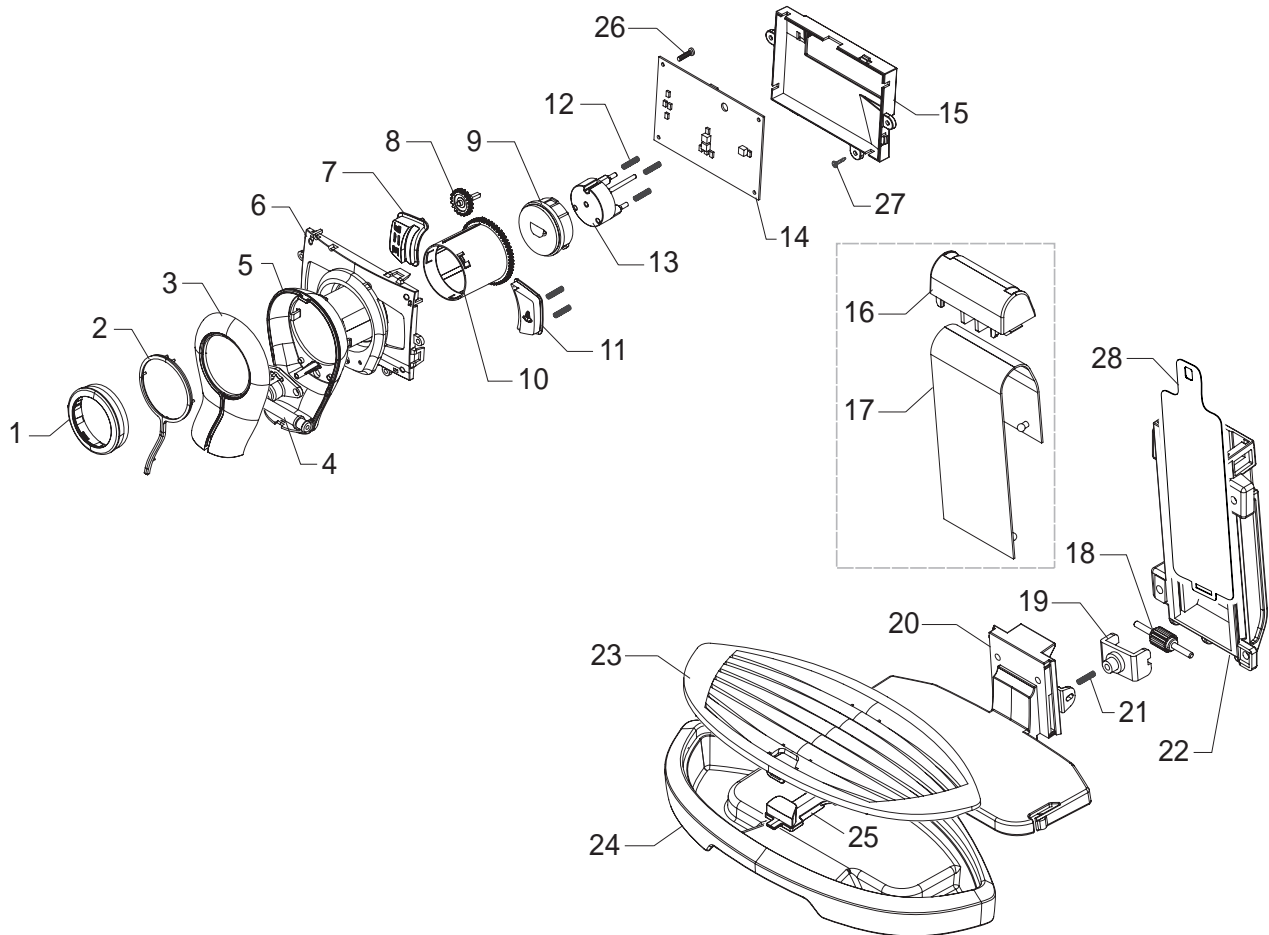


Saeco SUP0310
INTERNATIONAL GROUP



Cod. 1000205-248-1592-93
1594-95-96-97-98-99-1823

POS	CODE	DESCRIPTION	NOTE	POS	CODE	DESCRIPTION	NOTE
01	15001460	MANUAL V2 SAE P0049/A SUP0310 NL/PL		25	11004579	CARBONA DRIP TRAY COFFEE UNIT P0049	
	15001461	MANUAL V2 SAE P0049/A SUP0310 D/I			11007003	BORDEAUX DRIP TRAY COFFEE UNIT P0049	
	15001462	MANUAL V2 SAE P0049/A SUP0310 GB/F		26	12000280	CUP SOCKET EN 60320 C 13	
	15001463	MANUAL V2 SAE P0049/A SUP0310 E/P		27	11007060	GENERAL SWITCH FOR P124	
	15001653	MANUAL INSTRUCTIONS SUP0310 CHN		28	11004591	CARBONA WATER TANK OUTLET COVER P0049	
02	127390100	BRUSH FOR CLEANING			11007004	BORDEAUX WATER TANK OUTLET COVER P0049	
03	11003785	BLACK GRINDER ADJUSTMENT KEY P0049		29	11001293	NATURAL/GREY BEAN CONTAINER P0049	
04	183911050	POWER CABLE SCHUKO BLACK L=1200		30	11001762	TRANSPAR.BEAN COFF.CONTAIN.LID ASS.P0049	
	183930650	PO.CABL.CH BLACK 3X1 H05VV-F L=1200		31	11009191	BLACK POWER BOARD PROTECTION V2 P0049	
	183921950	POWER CABLE SJT3 USA BLACK UL L=1200		32	11001360	PWR BOARD P0049/P0053	230V
	183940650	BLACK POWER CABLE AUST.3X1 H05VV-F L=1200			11003968	PWR BOARD P0049/P0053	100-120V
	183980650	POWER CABL.JAPON VCTF BLACK L=1200		33	9161.111	MAGNET FOR FLOAT SUPERAUTOM.	
	11001985	BLACK POWER CABLE KOREA 3X1,25 L=1200		34	11008956	SS SPRING FOR LOCK DOOR G0053	
	11004245	BLACK POWER CABL. BRAZIL W/CONNECT.L=1200		35	11001340	BLACK DOOR PIN P0049	
	11004246	BLACK POWER CABLE TAIWAN HVCTF L=1200		36	11004578	CARBONA DOOR P0049	
	11004247	BLACK POWER CABLE RVV 3X1 CHINA L=1200			11007006	BORDEAUX DOOR P0049	
05	13000123	UPPER TECHMATE INSERT FOR BOX P0049		37	11001091	BLACK INSIDE COVER DOOR P0049	
06	13000122	LOWER TECHMATE INSERT FOR BOX P0049			11009283	BLACK INSIDE COVER DOOR P0049 UL	
07	13000124	DISPLAY BOX SAECO P0049		38	11004592	CARBONA ON-OFF BUTTON INSERT P0049	
08	11001746	TRANSPARENT WATER CONTAINER P0049 ASSY.		39	11004377	SILVER ON-OFF SWITCH BUTTON P0049	
09	224640200	EXTERNAL FILTER FOR WATER CONTAINER AS.	WITH PART. N°10		11007005	BORDEAUX ON-OFF BUTTON INSERT P0049	
10	140328461	EPDM OR METRIC 0190-10		40	11001437	BLACK CAP FOR CONNECTIONS P0049/P0053	
11	11003672	SPRING FOR WATER CONTAINER VALVE P0049		41	11001339	TRANSPLATE INFRARED'S PLATE P0049	
12	11003673	GREY WATER CONTAINER VALVE INSERT P0049		42	NF11.084	FOLK SPRING	
13	11003671	TRANSP.VALVE FOR WATER CONTAINER P0049		43	11001624	STEAM TUBE WASHER P0049	
14	11001298	BLACK LID FOR DUCKBILL VALVE P0049		44	11005287	BLACK BUSH FOR STEAM KNOB	
15	11001308	NATURAL/GREY WATER CONTAINER LID P0049		45	11003154	BLACK REED SENSOR SUPPORT P0049	
16	11004687	MOUNTING PLATE WITH PIN P0049 ASSY.		46	11005044	SAECO KLUBER TRIBOSTAR SIL 2 TUBE 5GR.	
	11009302	MOUNTING PLATE WITH PIN P0049 UL ASSY.		47	11005040	SPRING FOR ON-OFF BUTTON P0049	
	11006507	MOUNTING PLATE WITH PIN P0049 PP+T ASSY.	BRA-JAP-TWN	48	11003889	2POLES CONNECT. SENSOR REED DOOR P0049	
17	11000223	BLACK WHEEL FOR CASING BOTTOM P124		49	129913202	SCREW TCB TORX 10 3X8 PLAST.ZN-B	
18	11004381	SILVER COVER P0049		50	129661702	SCREW TCB TORX 3,5X30 PLAST.ZN-B	
19	11004372	SILVER WATER-STEAM KNOB P0049 W/O.N/S/SC					
20	11004142	SILVER PLATE LOGO SAECO NEW P0049/P0053					
21	11004907	BLACK PLATE WITH LOGO ODEA P0049 GO					
22	11004575	CARBONA RIGHT SIDE CASING P0049					
	11007001	BORDEAUX RIGHT SIDE CASING P0049					
23	11004576	CARBONA LEFT SIDE CASING P0049					
	11007002	BORDEAUX LEFT SIDE CASING P0049					
24	11003533	BLACK DUMP BOX P0049 W/OUT S.CREEN ASSY.					

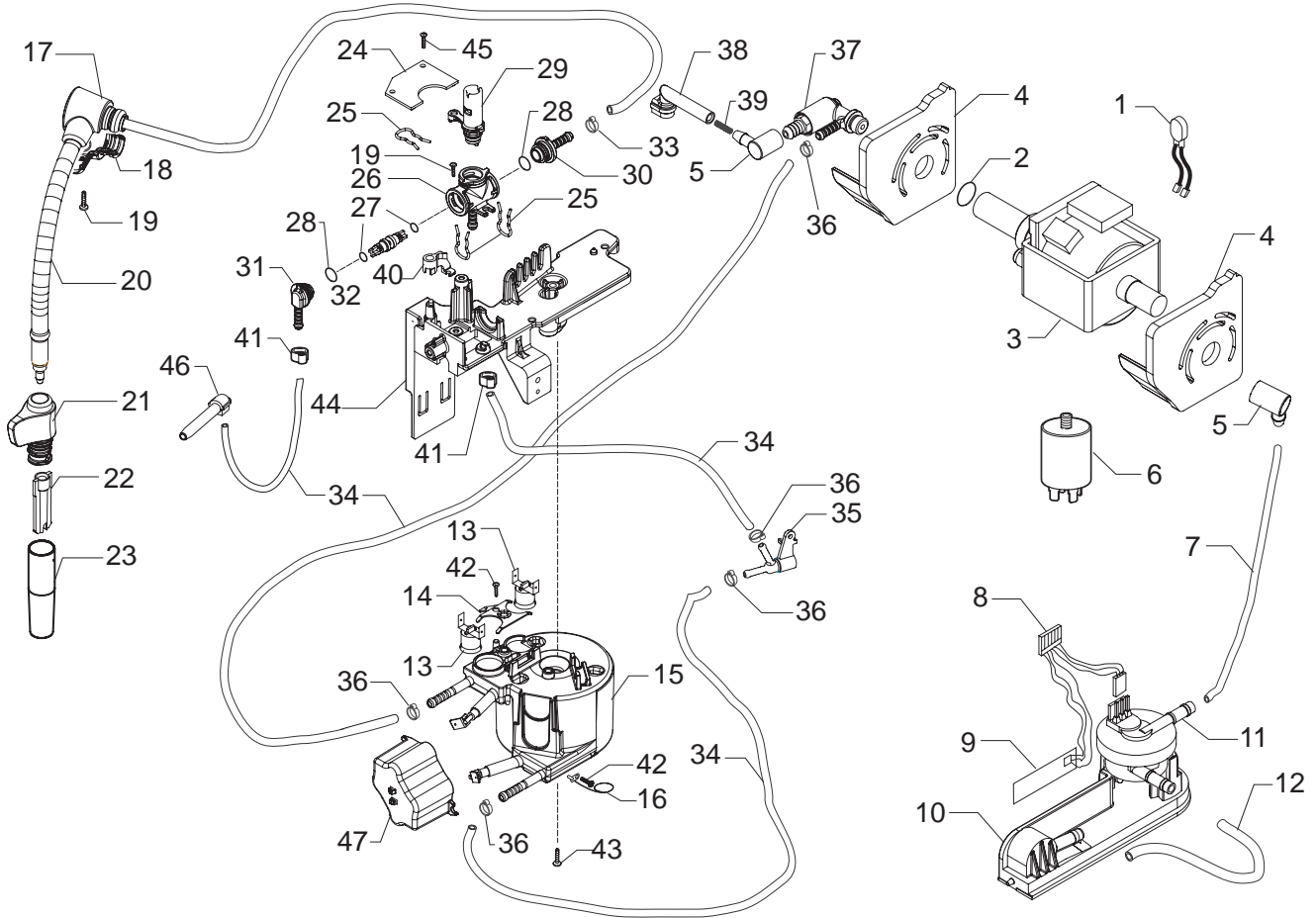


Saeco SUP0310
INTERNATIONAL GROUP



Cod. 1000205-248-1592-93
1594-95-96-97-98-99-1823

POS	CODE	DESCRIPTION	NOTE	POS	CODE	DESCRIPTION	NOTE
01	11004387	SILVER HEIGHT REGULATION NUT P0049					
02	11001788	AMBRA COFFEE DISPENSER LENS P0049					
03	11004385	SILVER FRONT COF.DISPENSER COVER P0049					
04	11001772	TRANSP.INNER CASING COFF.DISPENSER P0049					
05	11004383	SILVER REAR COF.DISPENSER COVER P0049					
06	11004382	SILVER SUPPORT ELECTR.CARD P0049					
07	11001351	BLACK BUTTON FOR ALLARMS P0049					
08	11001320	BLACK GEAR Z=19 FOR P0049					
09	11004388	CARBONA COFFEE BUTTON P0049/A S.SCREEN					
10	11001314	BLACK SUPPORT FOR RING NUT P0049					
11	11001353	BLACK STEAM BUTTON P0049					
12	11001363	SPRING FOR BUTTONS P0049					
13	11001334	BLACK COFFEE BUTTON SPACER P0049/A					
14	20000653	KIT SPARES CPU P0049 + FAUCET BOARD 3SEN	WITH PA.N°24 TA.3				
	11004915	AS.CPU+SW V1 P0049					
		FR. S/N.9006SA40301266 UP TO S/N.9007SA40457510					
	11008087	AS.CPU+SW V2 P0049					
		FROM S/N.9007SA40457511					
15	11001299	BLACK SUPPORT ELECTR.CARD CPU P0049.					
16	11001304	BLACK DRIP TRAY GUIDE LID P0049					
		UP TO S/N. 9008SA40110704					
17	11001438	SILVER DRIP TRAY SUPPORT PROTECT.P0049					
		UP TO S/N. 9008SA40110704					
18	11001758	PIN WITH BLACK INSERT ASSY.P0049					
19	11001335	BLACK PIN INSERT FOR DRIP TRAY P0049					
20	11001295	BLACK DRIP TRAY SUPPORT P0049					
21	11001364	MOVE DRIP TRAY SPRING P0049					
22	11001294	BLACK DRIP TRAY GUIDE P0049					
23	11004379	SILVER GRATE FOR DRIP TRAY P0049					
24	11009633	CARBONA DRIP TRAY P0049					
25	11004185	AMBRA FLOAT FOR DRIP TRAY P0049					
26	129913202	SCREW TCB TORX 10 3X8 PLAST.ZN-B					
27	12000450	SCREW TCB TORX 10 3,5X12 PLAST.GALVANIZ					
28	11007037	SPECCHIATO DRIP TRAY PROTECTION V2 P0049					
		FROM S/N. 9008SA40110705					

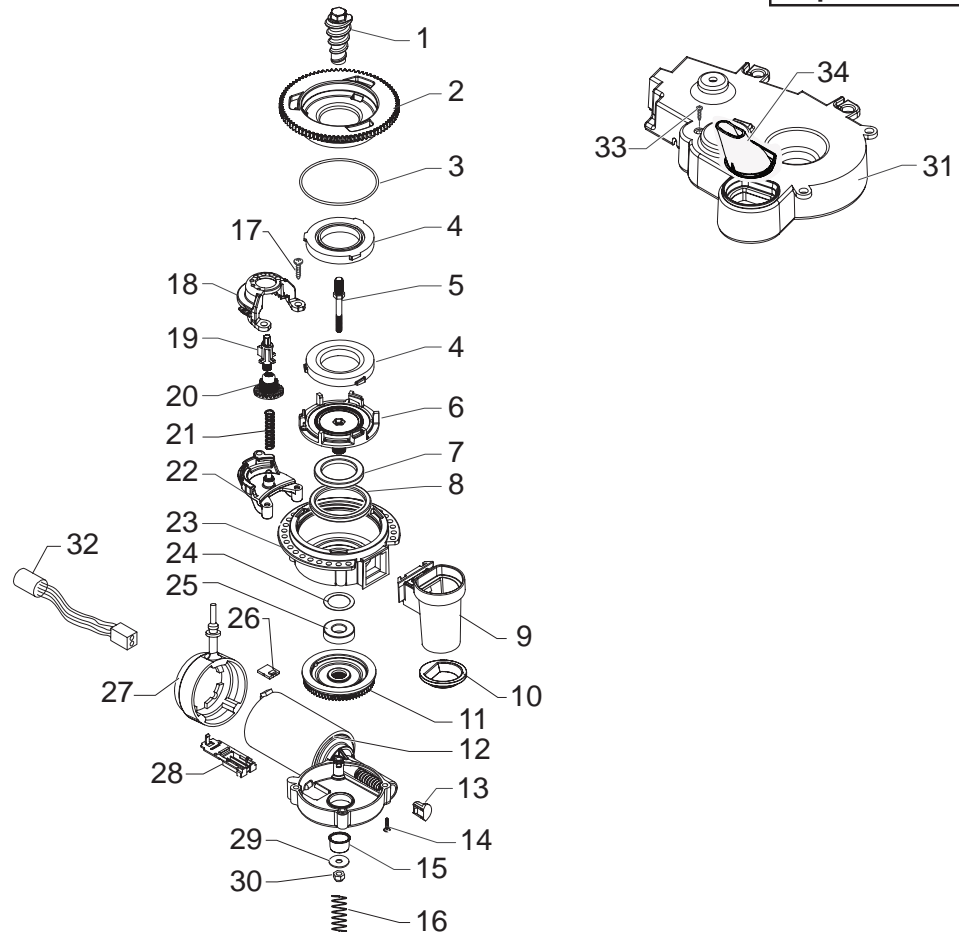


Saeco SUP0310
INTERNATIONAL GROUP



Cod. 1000205-248-1592-93
1594-95-96-97-98-99-1823

POS	CODE	DESCRIPTION	NOTE	POS	CODE	DESCRIPTION	NOTE
01	11005668	2POLES CONNECTOR PUMP P0049 UL		32	11004134	BRASS FAUCET SHAFT P0049	
02	140321961	OR 2031 IN TERMOIL	WITH PART. N°37	33	NF11.052	OETIKER CLIP	
03	12000140	ULKA PUMP EP5/S GW	230V-50HZ	34	16000380	5X8,9 SILICONE TUBE IN ROLL	
	12000130	ULKA PUMP EP5/S GW	100V-50/60HZ	35	11001330	BLACK CONNECTOR FOR PIN BOILER P0049	
	12000142	ULKA PUMP EAP5/S	120V-60HZ	36	12000413	TECNOFIX CLAMP D=8,5-9,5 FX55080	
	12000167	ULKA PUMP EP5/S GW	240V-50HZ	37	11004689	SAFETY VALVE 16-18 BAR P0049 ASSY.	
	12000182	ULKA PUMP EP5/S GW	220V-60HZ	38	11001629	PUMP DESCARGING WATER CONNECT. P0049	
04	11001365	BLACK PUMP SUPPORT P0049		39	11005003	DESCARGING WATER CONNECT. SPRING P0049	
05	147920150	90°CONNECTOR PUMP INLET		40	11008876	BRASS FAUCET BLOCK INSERT P0049/A	
06	12000005	ANTIDISTURB FILTER 10A FNC 1005474103P		41	12000892	OETIKER CLAMP D=9,5 167000004	
	12000007	ANTIDISTURB FILTER 16A FNC 1610474472P		42	129573202	SCREW TCB PH/TT 4X8 UNI 8112 ZNP	
07	149360200	SILICONE TUBE 5X8 70SR IN ROLL		43	129932502	GALVANIZDE SELF DRILLING SCREW 5X30	
08	11005648	6 POLES CONNec. LEVEL+FLOWMETER P0049 UL		44	11001332	SUPPORT FOR BOILER-FAUCET-VALVE P0049	
09	11000651	WATER LEVEL SENSOR BOARD P124		45	129913202	SCREW TCB TORX 10 3X8 PLAST.ZN-B	
10	11003670	BLACK TURBINE SUPPORT/V2 P0049		46	11001630	MILK ISLAND DESCARGING WATER CONNECT.	
11	12000781	TURBINE D=1,2 932-8521/90 ASSY.		47	11005284	BLACKBOILER CONNECT. COVER P0049/P0053	
12	JS01.022	SILICONE TUBE 5X10 60 SHORE IN ROLL					
13	189428600	THERMOSTAT 175° 1NT-08L-5125					
14	11001751	THERMOSTATES SPRING FOR BOILER			11008698	TEA/BRASS FAUCET P0049-P0053 ASSY. WITH PART. N°25-26-27-28-29-30-31-32	
15	11001750	ALUM.BOILER/V3 1300W ASSY.	230V				
	11005608	ALUM.BOILER/V3 1300W ASSY.	120V		11001748	ALUM.BOILER P0049/A 230V ASSY.	
	11005609	ALUM.BOILER/V3 1300W ASSY.	100V		11005774	ALUM.BOILER P0049/A 120V ASSY.	
16	190800100	TEMPERATURE SENSOR NTC UL L=280MM			11005775	ALUM.BOILER P0049/A 100V ASSY. WITH PART. N°07-13-14-15-16-19-34-35-36-37-38-39 42-43-44-46-47 + TEA/BRASS FAUCET ASSY.	
17	11004196	CHROMED UPPER STEAM TUBE COVER P0049					
18	11004197	CHROMED LOWER STEAM TUBE COVER P0049					
19	129912202	SCREW TCB TORX T10 3X12 UNI 9786 ZN					
20	11003122	ST.STEEL STEAM TUBE P0049 ASSY.					
21	11001625	STEAM TUBE HANDGRIP P0049					
22	11001620	PANNARELLO INTERNAL TUBE P0049					
23	11001769	BLACK COVER PANNARELLO P0049/A					
24	20000653	KIT SPARES CPU P0049 + FAUCET BOARD 3SEN UP TO S/N. 9006SA40301265	WITH PA.N°14 TA.2				
	11007569	TAP ELECTRONIC CARD G0053 ASSY. FROM S/N. 9006SA40301266					
25	11001499	FORK SPRING FOR FAUCET P0049					
26	11004625	TEA/BRASS FAUCET CASING P0049					
27	12000890	OR 2012 IN EPDM FDA 70 SH					
28	12000931	OR 108 IN EPDM FDA 70 SH					
29	11004135	PLAST/BRASS FAUCET SHAFT P0049 ASSY.					
30	11001546	FAUCET STRAIGHT CONNECTOR P0049					
31	11001544	FAUCET CONNECTOR P0049					

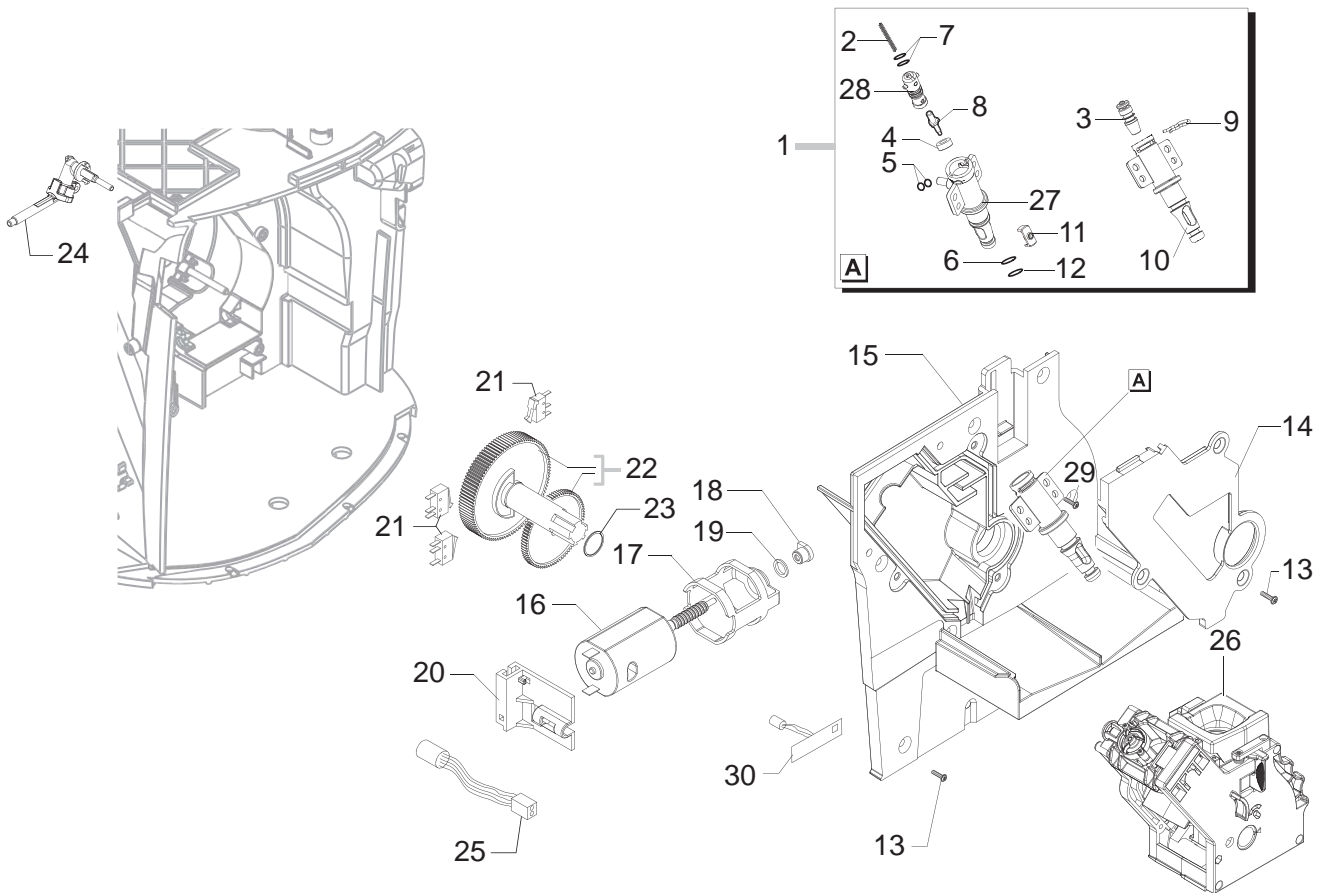


Saeco SUP0310
INTERNATIONAL GROUP



Cod. 1000205-248-1592-93
1594-95-96-97-98-99-1823

POS	CODE	DESCRIPTION	NOTE	POS	CODE	DESCRIPTION	NOTE
01	9141.001	SCREW OF INCREMENT					
02	149198250	UPPER GRINDER SUPPORT COFFEEGRINDER					
03	140328960	NBR FDA OR METRIC 0530-15					
04	146520100	BAKED CLAY GRINDER 48X28					
05	127473603	STEEL PIN M4-M6 FOR INCREMENT SCREW					
06	149198350	LOWER GRINDER SUPPORT COFFEEGRINDER					
07	123030300	AXIAL BEARING EKKO 342.35252					
08	140360500	FELT RING 45,4X39,4X4					
09	222870250	GROUND COFFEE OUTLET CONVEYOR ASSY.					
10	145854462	GROUND COFFEE CONT.SEAL LOWER SMART1					
11	226000300	GEAR SX Z=38 FOR GRINDER MOTION ASSY.					
12	11000513	MOTOR COFFEEGRINDER/V3.1 DOMEL ASSY	230V				
	11000511	MOTOR COFFEEGRINDER/V3.1 DOMEL ASSY	120V				
	11000512	MOTOR COFFEEGRINDER/V3.1 DOMEL ASSY	100V				
13	149214800	CAP FOR WORM SCREW MC/V3 CENTRING					
14	129661702	PANELVIT TCB SCREW 3,5X25 D.7505 ZN					
15	11002873	INSULATOR BUSH FOR GRINDER MOTOR P124					
16	11000597	COFFEE GRINDER SUPPORT SPRING P124					
17	129660102	PANELVIT TCB SCREW 3,5X18 D.7505 Z					
18	11002508	UPPER GEAR SUPPORT COFFEEGRINDER P124					
19	11003446	BLACK INSERT FOR COFFEE GRINDER P0049					
20	11003784	COFFEE GRINDING ADJUSTMENT GEAR P0049					
21	11002572	GRINDER REGULATION SPRING P124					
22	11002613	LOWER GEAR SUPPORT COFFEEGRINDER P124					
23	142905450	UPPER BODY WITH COFFE.GROUND OUTLET					
24	128381800	CRINKLE WASHER 21,8X15,8X0,2					
25	123030200	RADIAL BEARING 61900.2RS1					
26	181540900	ELECTRONIC BOARD WITH SENSOR HAL506					
27	11001367	BLACK COFFEE GRINDER SUPPORT P0049					
28	149199050	SENSOR SUPPORT FOR COFF.GRIND.MOTOR					
29	128381902	GALVAN.FLAT WASH.DI=4,3 DE=14 SP=1,5					
30	123453102	SELF LOCK NUT M4 DIN 982 HIGH GALV.					
31	11001826	SOUNDPROOFING COVER FOR COFGRIND. P0053					
32	11003449	5POLES CONNECTOR MC SENSORS P0049	230V				
	11005658	5POLES CONNECTOR MC SENSORS P0049 UL	100-120V				
33	129661902	TCB SCREW 3,5X18 PLASTITE 45°					
34	11004199	BLACK CONDENSE CONVEYOR P0049					
	11007416	GENERAL MOTOR MC V2 P0049 230V ASSY.					
	11007417	GENERAL MOTOR MC V2 P0049 120V ASSY.					
	11007418	GENERAL MOTOR MC V2 P0049 100V ASSY.					



Saeco SUP0310
INTERNATIONAL GROUP

CE Cod. 1000205-248-1592-93
1594-95-96-97-98-99-1823

POS	CODE	DESCRIPTION	NOTE	POS	CODE	DESCRIPTION	NOTE
01	11005060	PIN V2 FOR BOILER P119 ASSY.		27	11003801	PIN V2 FOR BOILER P119	
02	9011.132	SPRING FOR PIN		28	11003820	CAP V2 FOR PIN BOILER P119	
03	11000692	NIKELED BRASS CAP FOR PIN BOILER P119 UP TO S/N.9007SA40001046		29	129661902	TCB SCREW 3,5X18 PLASTITE 45°	
04	145841200	VITON SEAL D=5,1 FOR PISTON		30	11000651	WATER LEVEL SENSOR BOARD P124 UP TO S/N. 9007SA40457510	
05	140328059	OR 2015 IN SILICONE PTFE/FDA					
06	NM01.035	OR ORM 0090-20 SILICONE					
07	140324459	OR METRICO 0060-20 SILICONE.PTFE/FDA					
08	11009019	TEA/BRASS PISTON L=20,9 ASSY.	WITH PART. N°04				
09	9011.144	FORK FOR TUBE D.4 UP TO S/N.9007SA40001046					
10	147473300	PIN FOR BOILER P119 UP TO S/N.9007SA40001046					
11	9011.099	M CURSOR FOR BOILER VALVE IN PLASTIC UP TO S/N.9007SA40001046					
	11005099	CURSOR V2 FOR BOILER P119 FROM S/N 9007SA40001047					
12	NM01.057	OR ORM 0050-20 SILICONE					
13	129914102	SCREW K 35X12 WN 1423 GALVANIZED					
14	11001312	BLACK COVER FOR VAIN BOILER P0049					
	11009284	BLACK COVER FOR VAIN BOILER P0049 UL					
15	11006337	BLACK COVER FOR MOUNTING PLATE P0049 AS.					
	11009287	BLACK COVER MOUNTING PLATE P0049 UL ASSY					
16	11003037	MOTOR FOR RATIONOTOR ASSY.					
17	9121.044	ANTIVIBRATION FOR MOTOR					
18	9121.046	SINTERED BUSH FOR MOTOR					
19	148380200	WASHER BAKELIZZATE D=5,5					
20	11001331	BLACK MICROS.W. SUPPORT DUMP BOX P0049					
21	NE05.038	MICROSWITCH					
22	20000455	SPARES KIT GEARS FOR RATIONOTOR P124 UP TO S/N. 9007SA40457510					
	20000900	SPARES KIT GEARS FOR RATIONOTOR V2 FROM S/N. 9007SA40457511					
23	9161.132	MYLAR WASHER FOR RATIONOTOR					
24	11003468	COFFEE DISPENSING VALVE P0049 ASSY. UP TO S/N. 9006SA40292687					
	11007647	V3 COFFEE DISPENSING VALVE P0049 ASSY. FROM S/N. 9006SA40292688					
25	11003661	REED SENSOR MK3-1A66-BV16451					
26	11002145	BLACK BREW UNIT 8GR. P124/SBS SEE COD.EXPL. E90042					